

209008-05CF

A **L4530** **x36** **x6**
 4.5x30 mm.

B **x16**
 8x30 mm. **P**

C **x8** **R** **x6**
 Ø16 mm.

D **x8** **T20** **x12**
 Ø20 mm.

E **x8** **F21** **x6**
 7x60 mm. **205124-06PIE**
 Ø 60 mm h 20 mm

H2T **x2**

C8 **x2**

L15 **x4**
 4x15 mm.

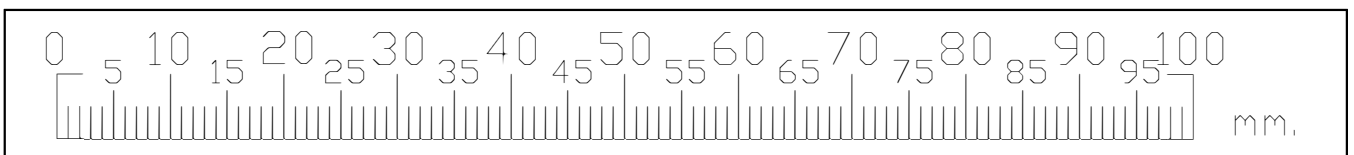
H2E **x4**

C0 **x4**

L15 **x8**
 4x15 mm.

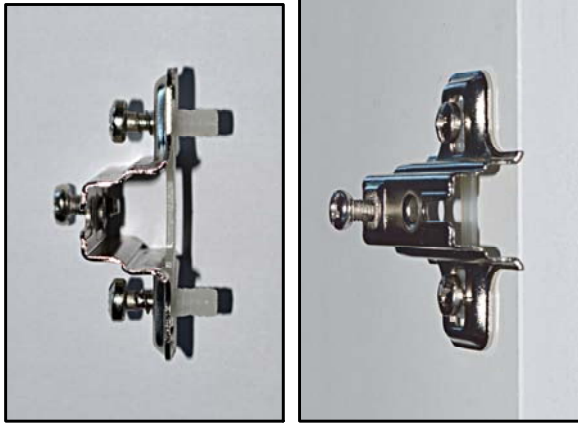
T **203565-04CF** **x1**

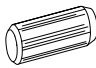
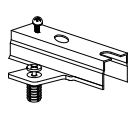
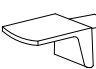
L3 **x1**
 4x18 mm.

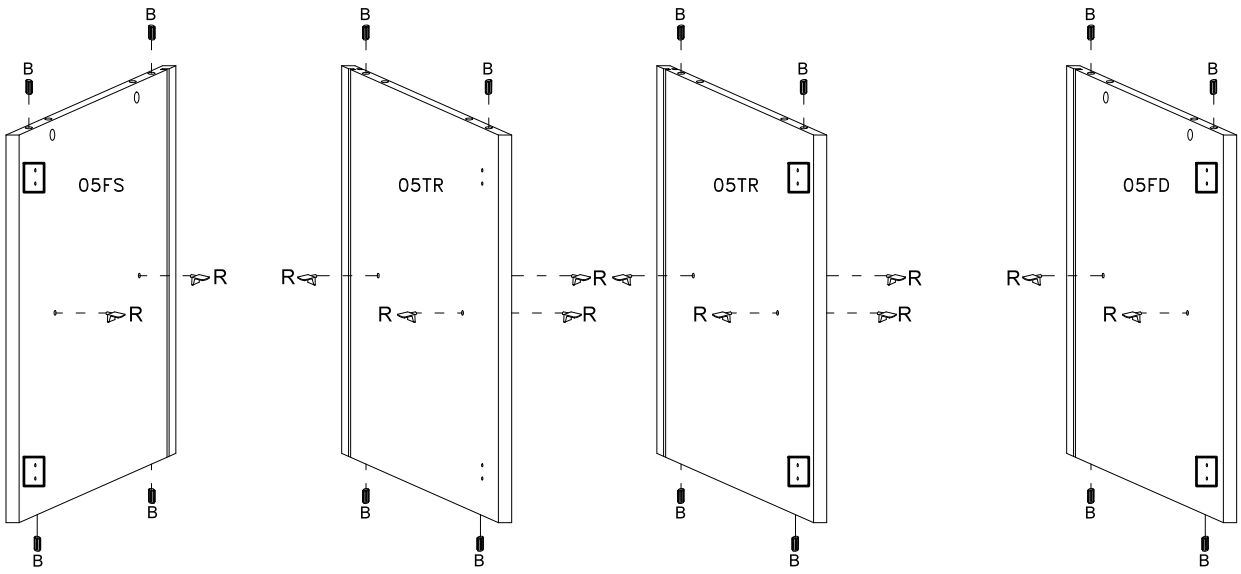


1

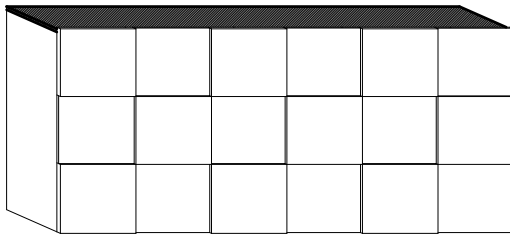
H2T

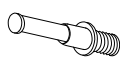


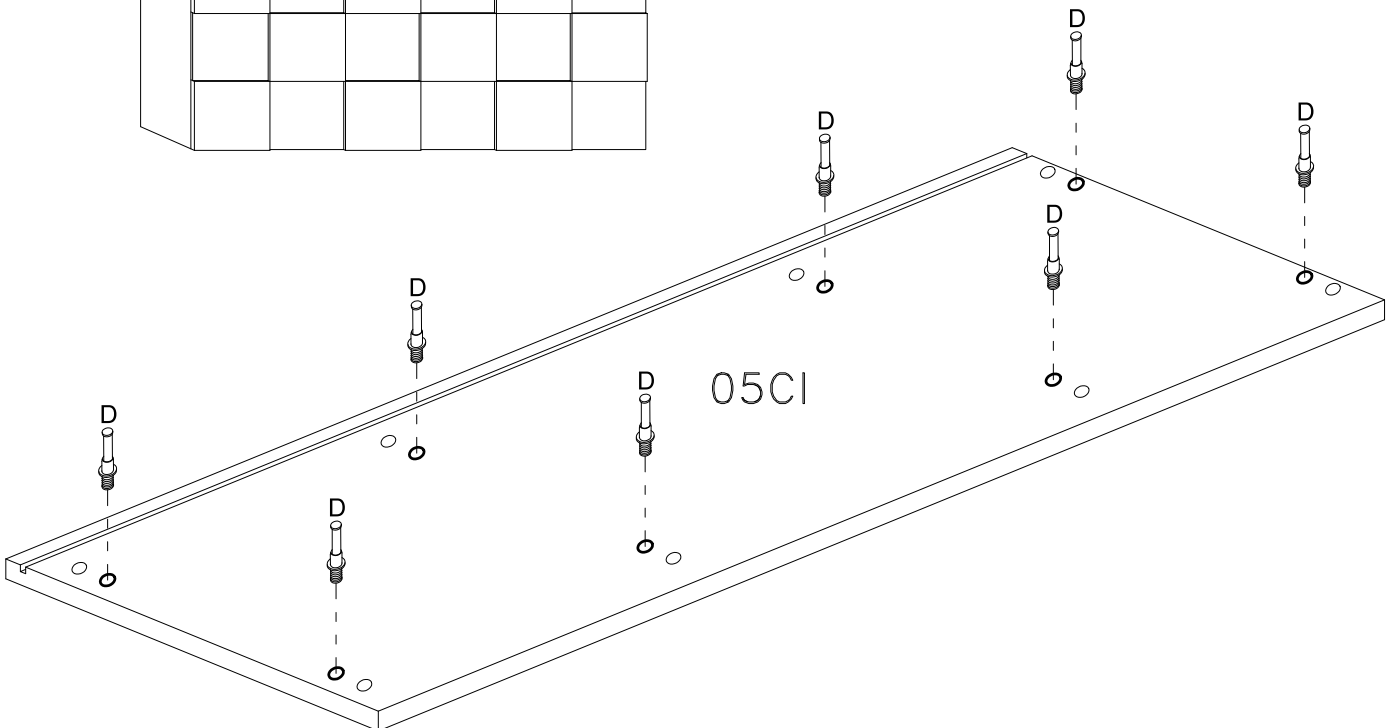
- B  8x30 mm. x16
- H2T  x6
- R  x8



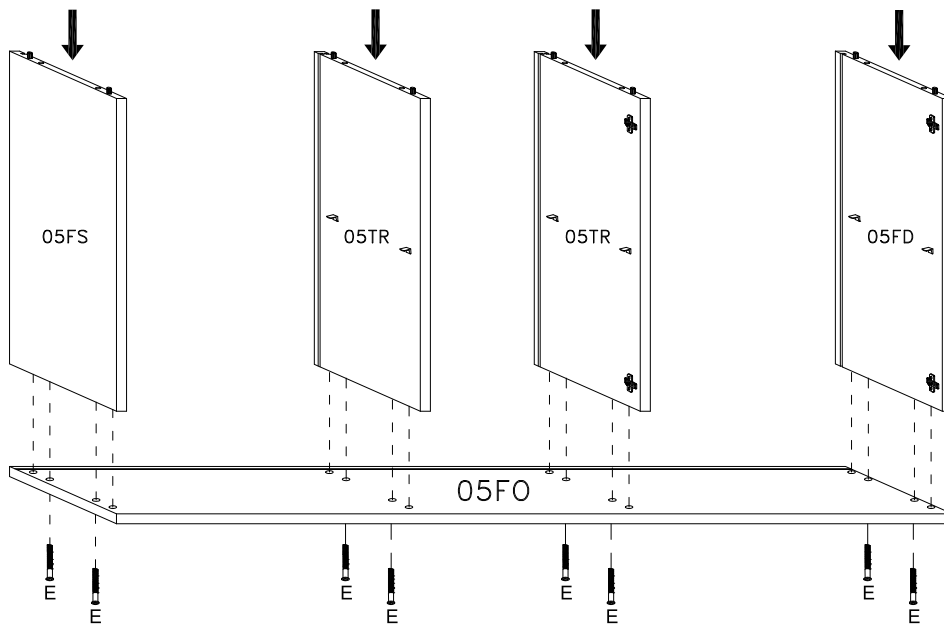
2






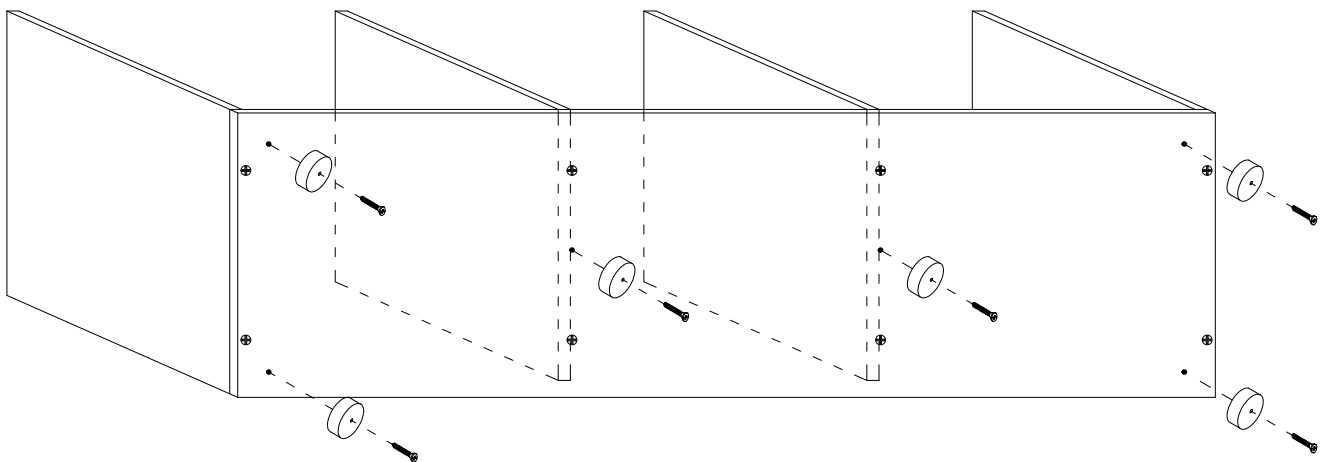
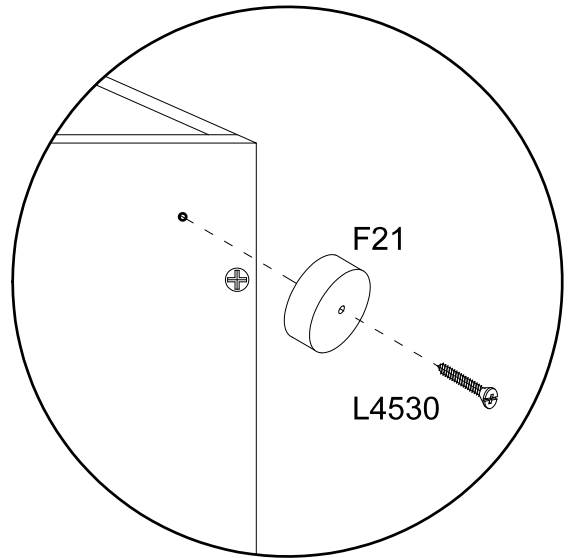
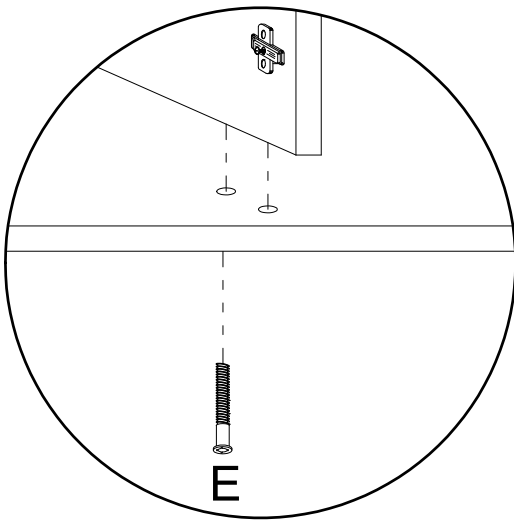
- D  x8



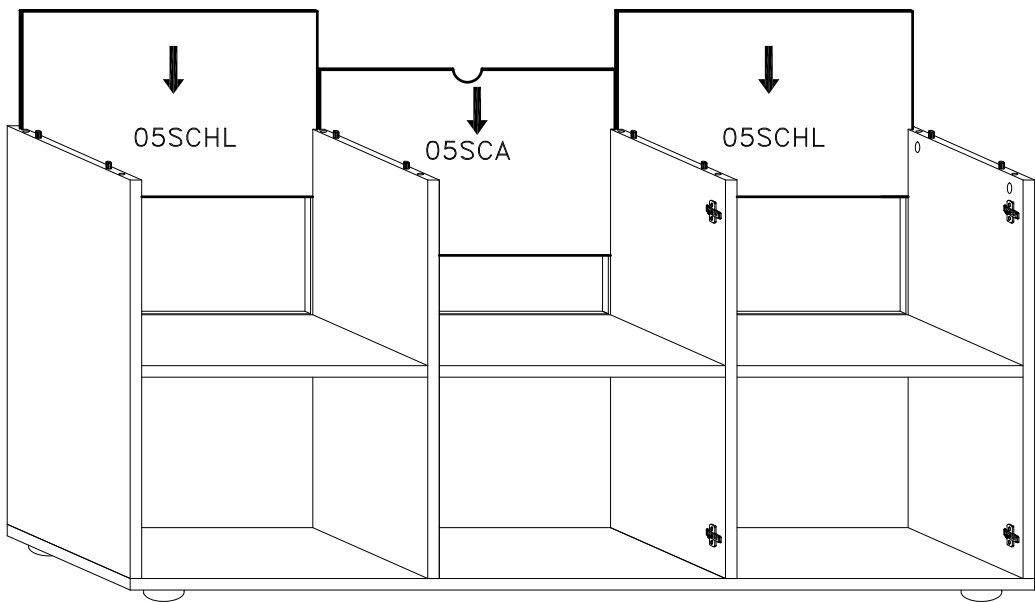
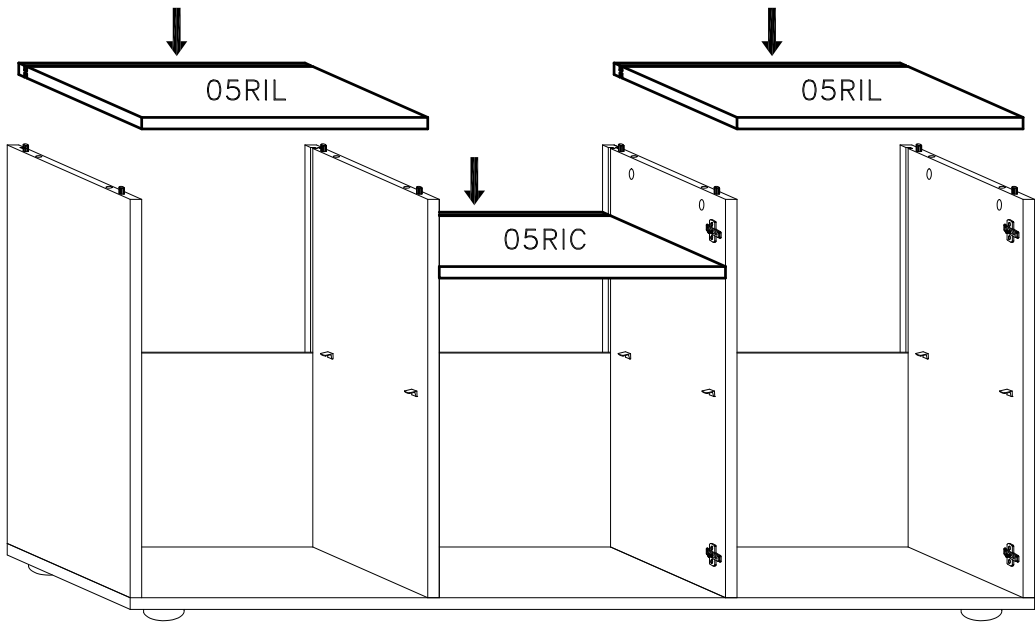
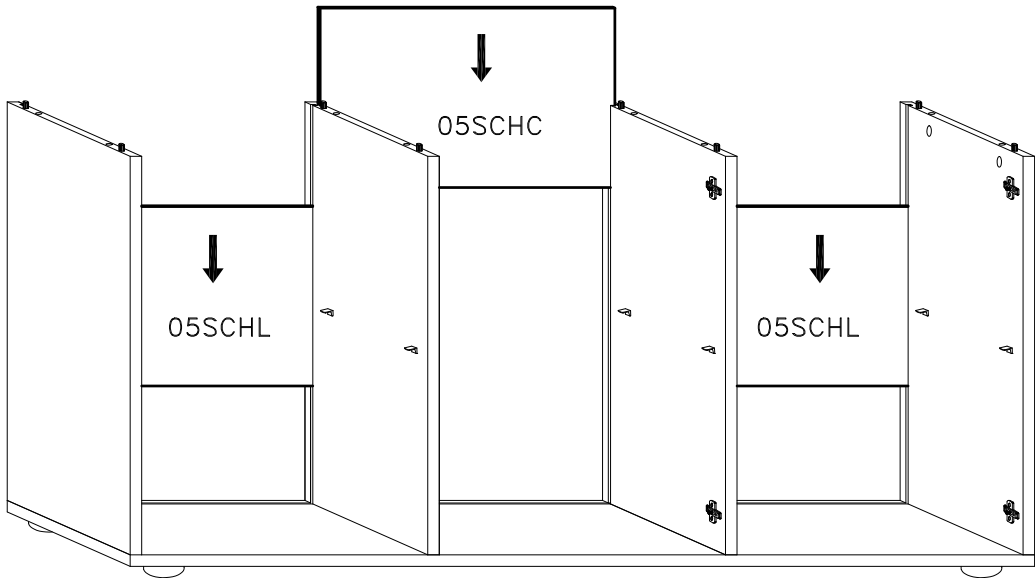
3



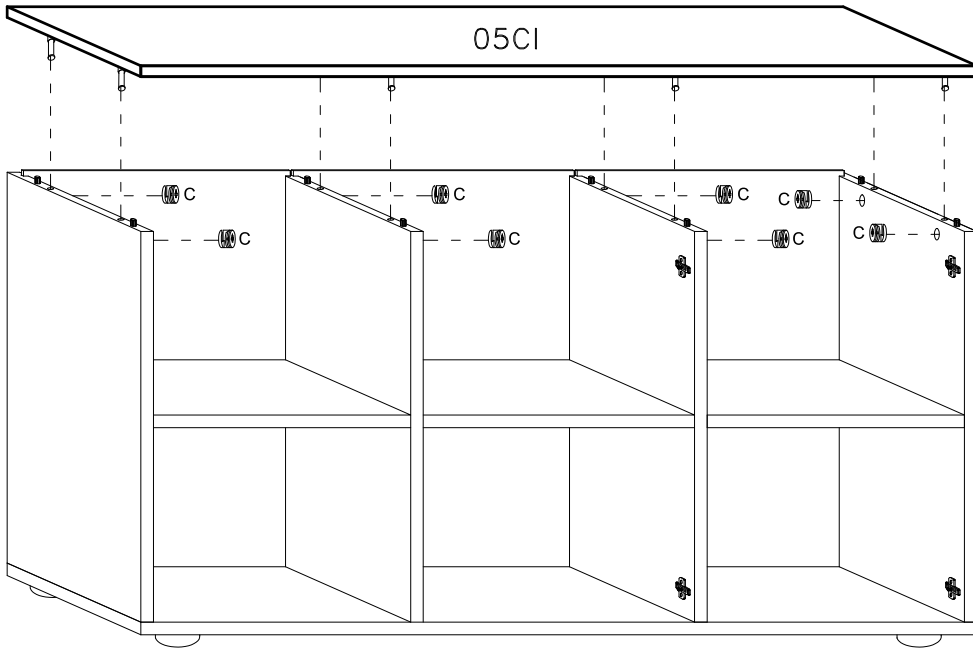
- E  7x60 mm. x8
- L4530  4.5x30 mm. x6
- F21  Ø 60 mm h 20 mm x6



4



5

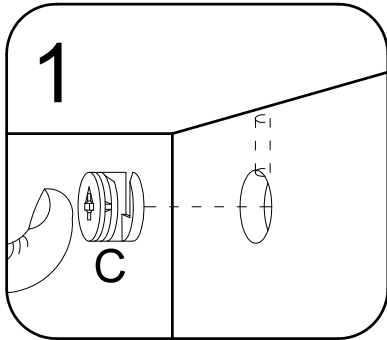


C

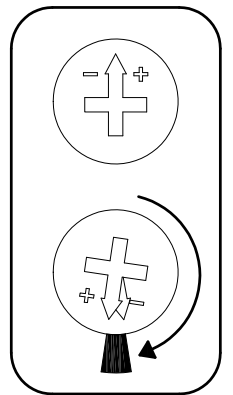
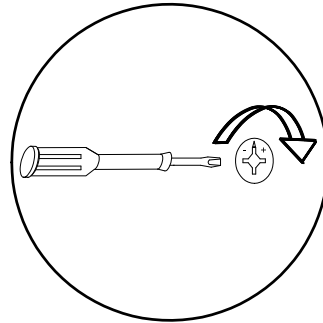


ø16 mm.

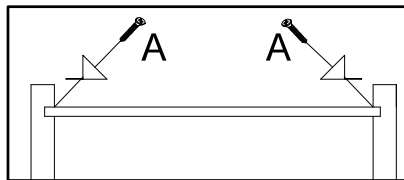
x8



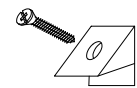
2



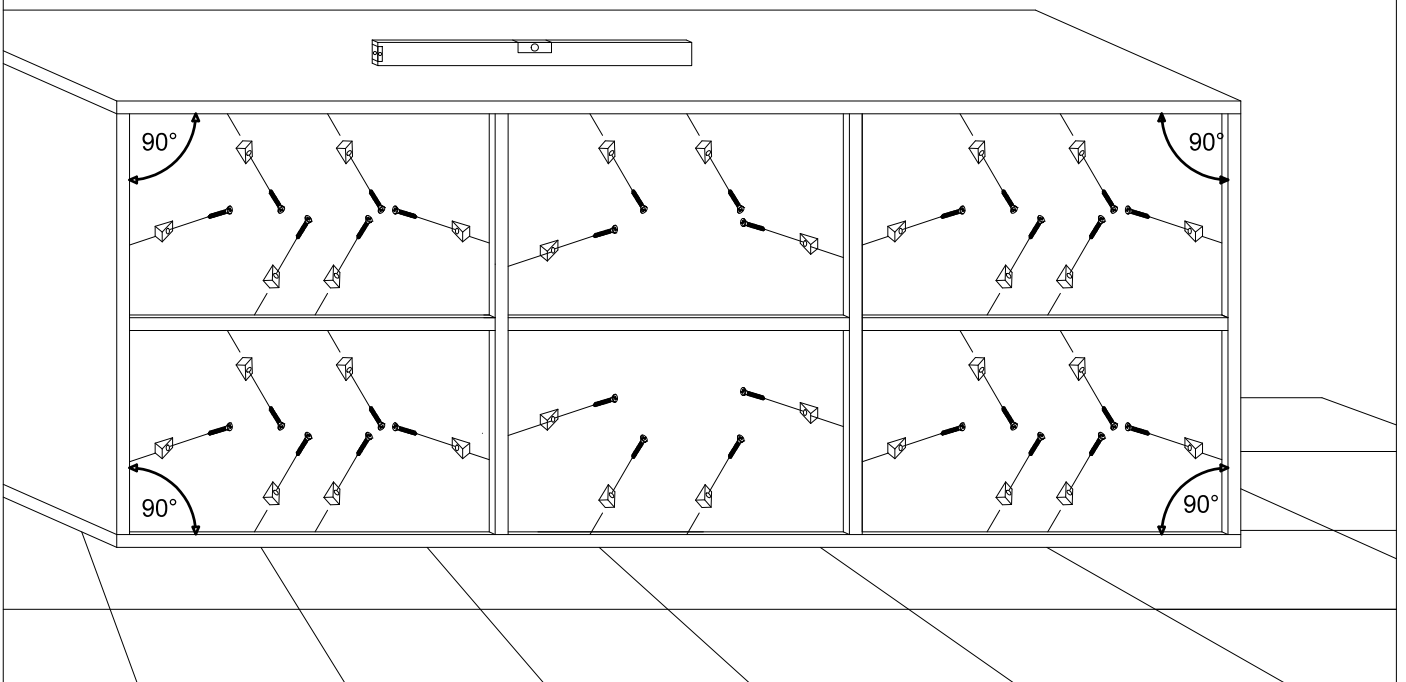
6



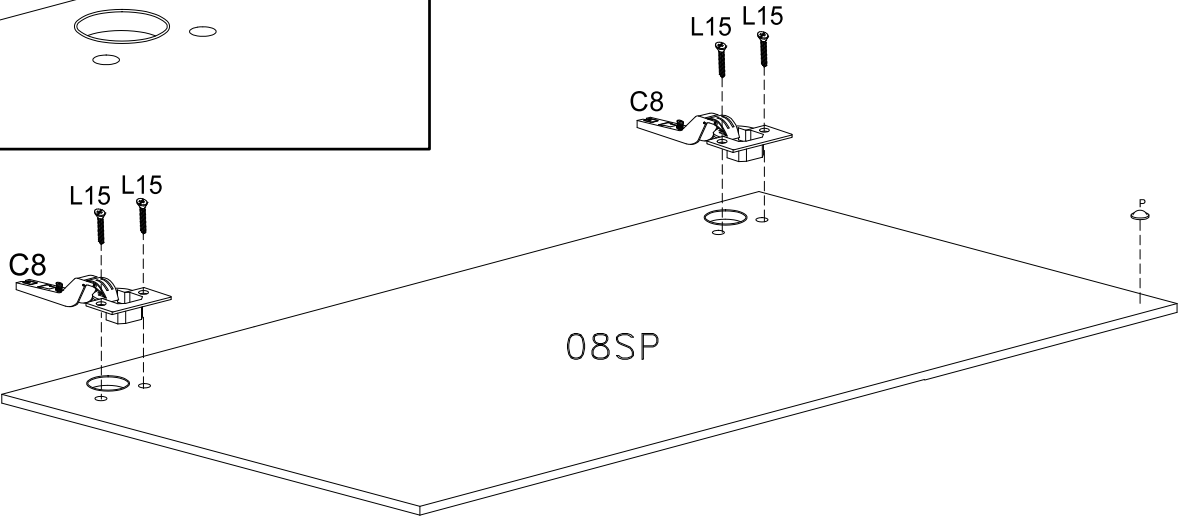
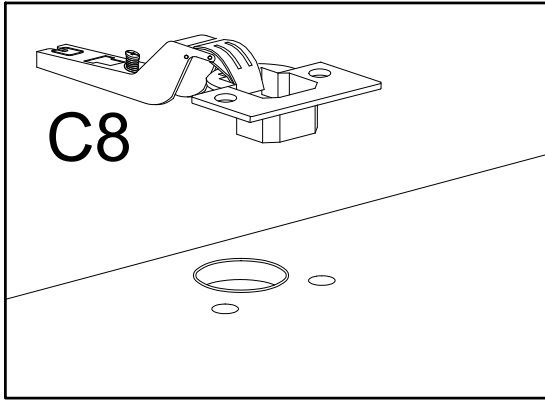
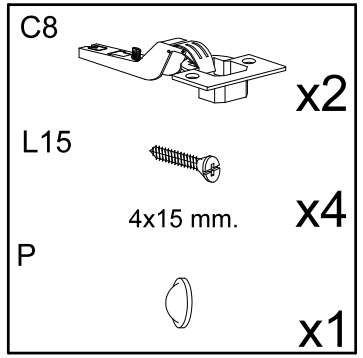
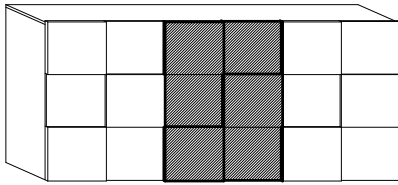
A



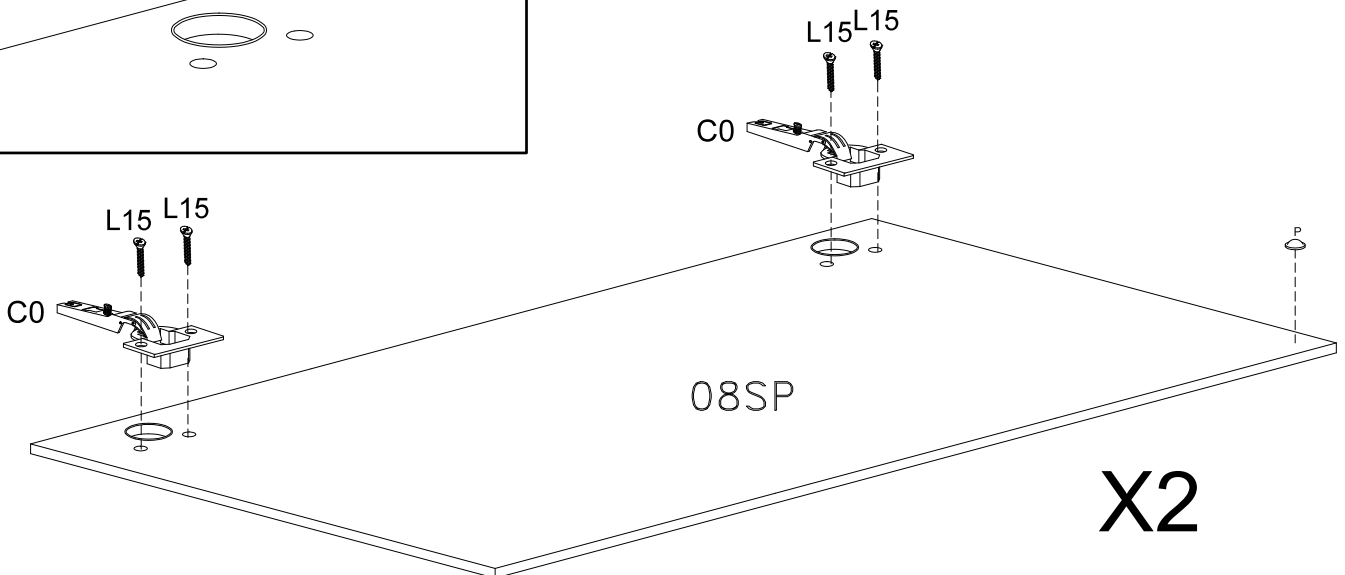
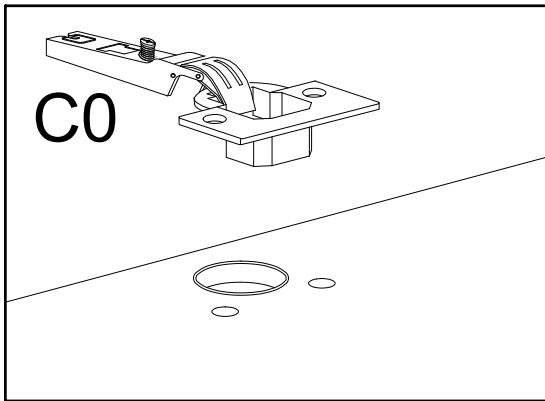
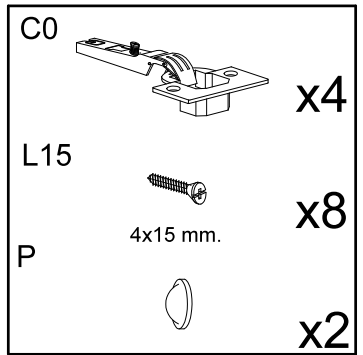
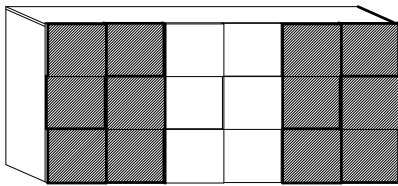
x36



7



8



X2

9

